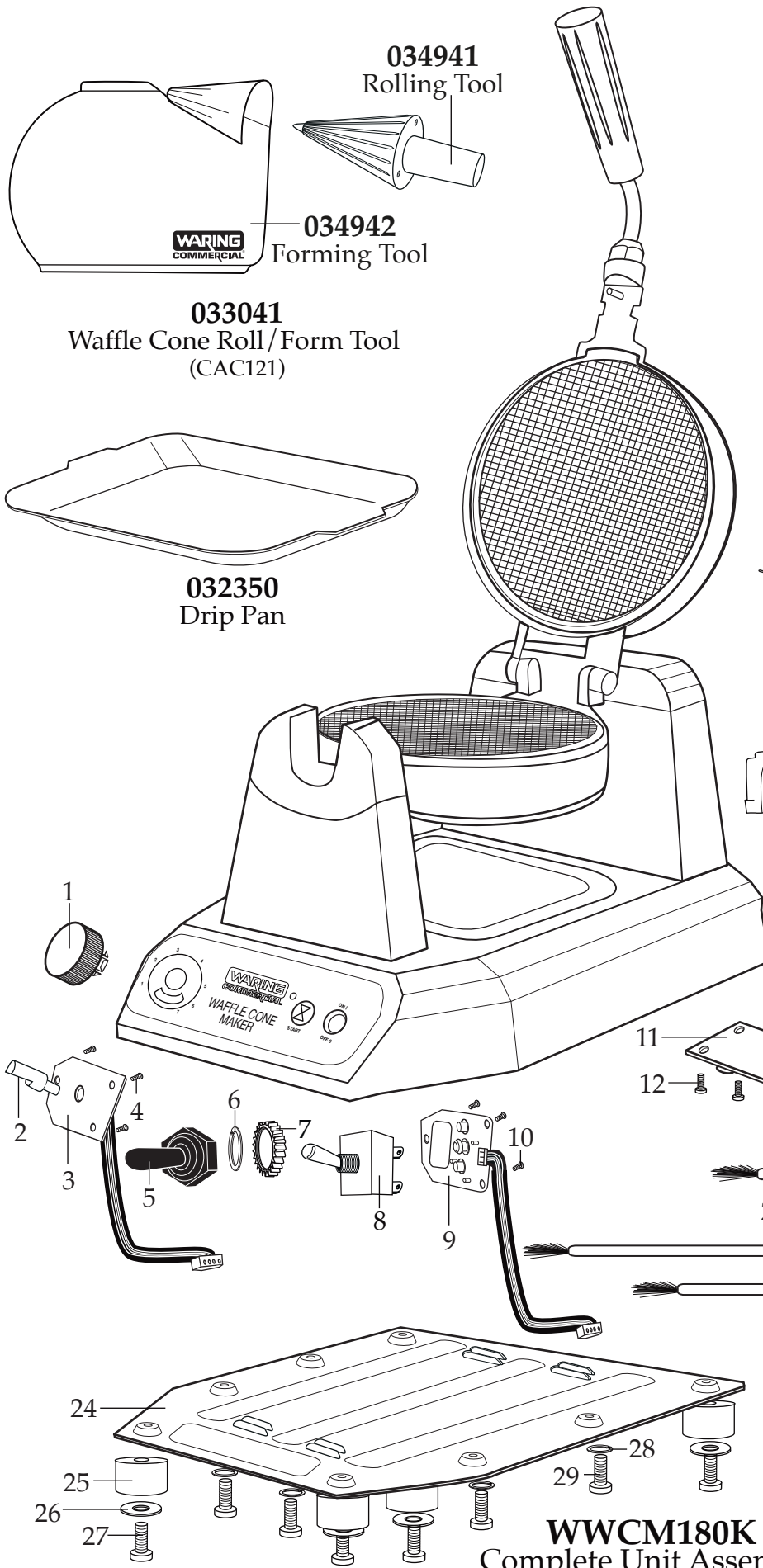


WARING COMMERCIAL®

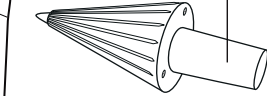
UK Single Waffle Cone Maker WWCM180K



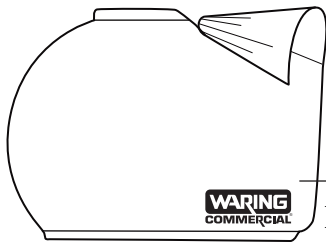
Date Code Location
YY|MM|DD
year year | month month | day day



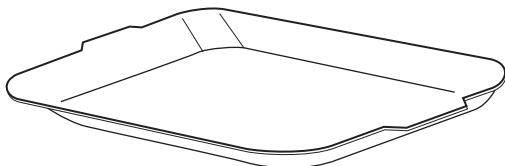
034941
Rolling Tool



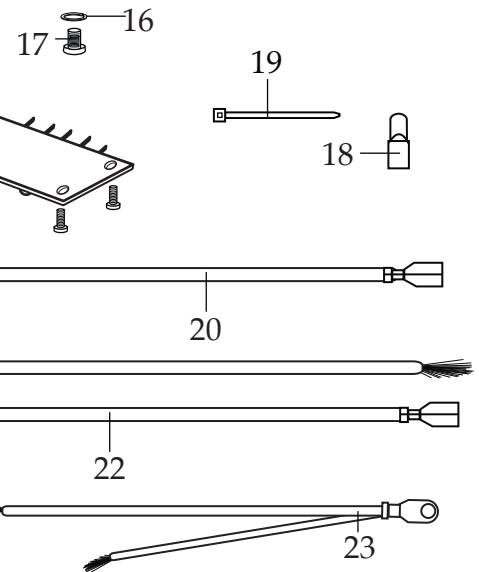
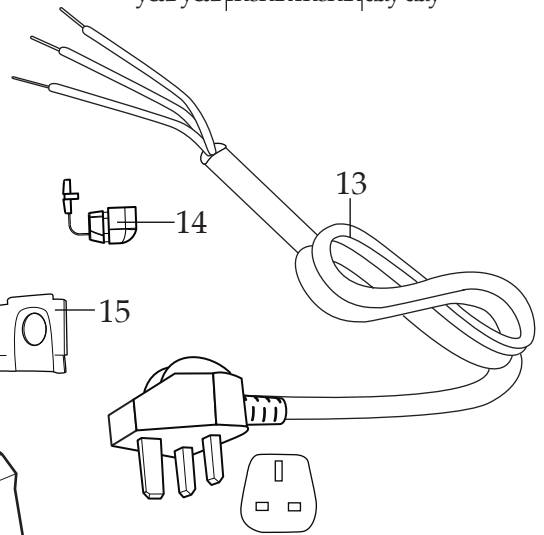
034942
Forming Tool



033041
Waffle Cone Roll/Form Tool
(CAC121)



032350
Drip Pan



WWCM180K Complete Unit Assembly

Illustration #	Part #	Description
1	032352	Browning Control Knob with Insert
2	036241	Connection Pole (<i>changed 8/30/2017</i>)
3	035316	Darkness Control Panel (thermostat w/ Short Lead Tape)
4	032359	Screw (3 required)
5	035321	Toggle Switch Boot
6	032356	Washer
7	035322	Toggle Switch Locking Ring
8	032747	ON-OFF Toggle Switch
9	035343	Control Board
10	032359	Screw (3 required)
11	035344	PCB Board
12	032359	Screw (4 required)
13	033494	Cord Set (<i>changed 10/30/2017</i>)
14	032361	Strain Relief
15	032371	Cord Plate
16	032360	Ground Spring Washer
17	035298	Ground Screw
18	019123	Large Crimp Connector (2 required)
	012409	Small Crimp Connector (4 required)
19	013731	Wire Tie (7 required)
20	034932	7.5" Red Lead
21	032367	17" Red Lead
22	035348	10.25" Black Lead
23	035345	Double Ground Lead
24	032351	Bottom Plate
25	032353	Foot (4 required)
26	032354	Foot Washer (4 required)
27	032355	Foot Screw (4 required)
28	032360	Bottom Plate Spring Washer (4 required)
29	032750	Bottom Plate Screw (4 required)